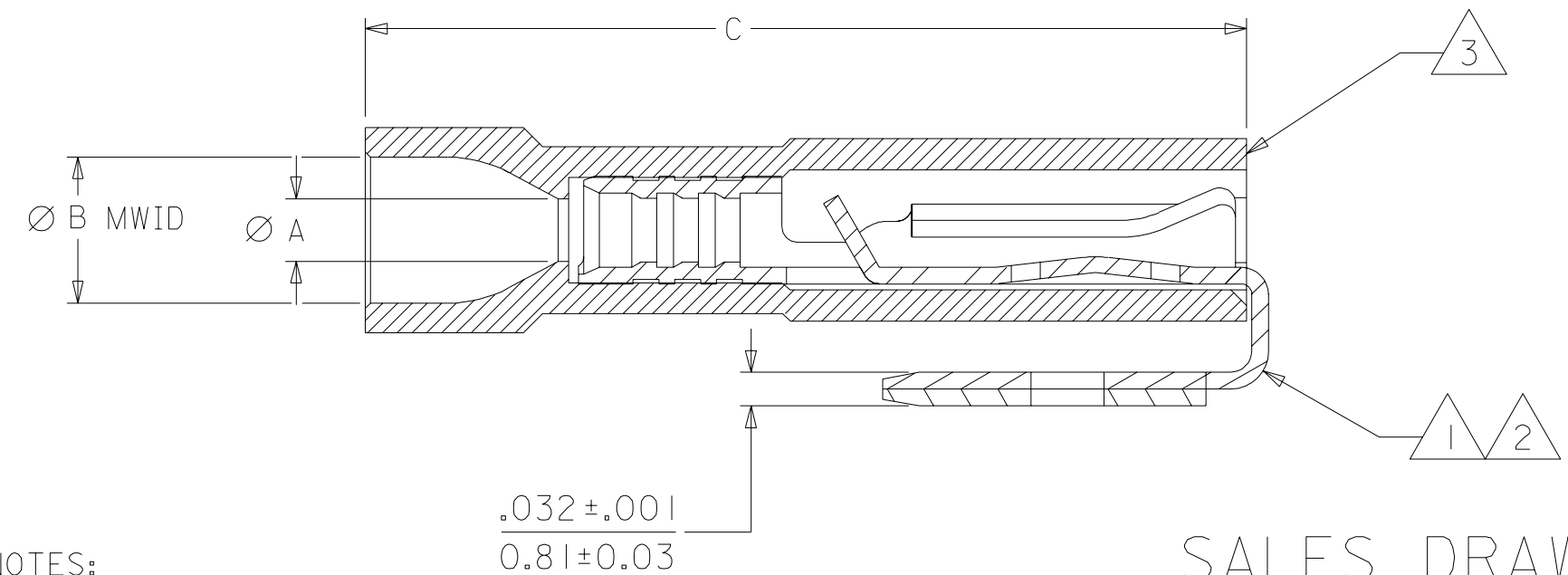
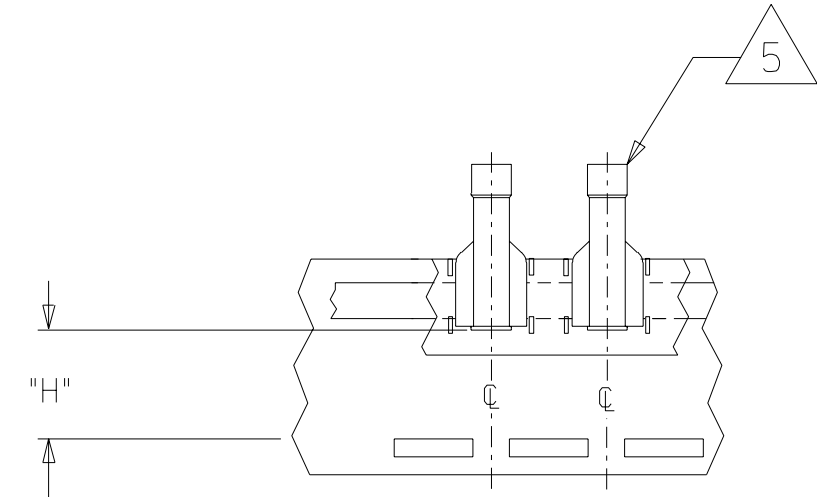
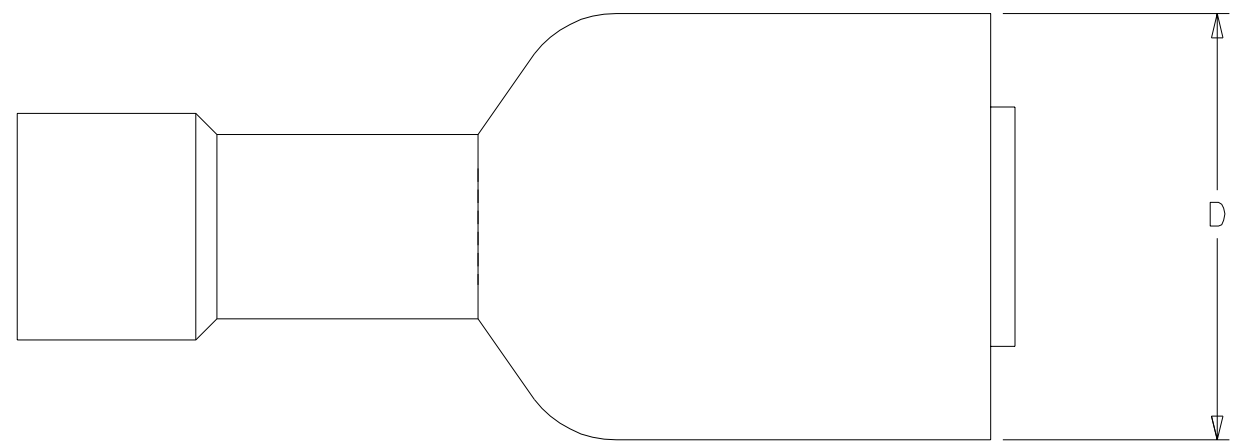


10	9	8	7	6	5	4	3	2	1	SD-19013-001
MATERIAL NUMBER	ENGINEERING NUMBER	MATERIAL NUMBER	ENGINEERING TAPE NUMBER	WIRE SIZE	INSULATION COLOR	A MAX	$\triangle 4$ B MWID	C $\pm .020 / (0.51)$	D $\pm .020 / (0.51)$	H $\pm .010 / 0.25$
190130001	AA-2317	190130002	AA-2317T	22-18 AWG	RED	.062 / (1.57)	.140 / (3.56)	.85 / (21.6)	.37 / (9.4)	.540 / 13.7
190130005	BB-2318	190130006	BB-2318T	16-14 AWG	BLUE	.087 / (2.21)	.165 / (4.19)	.85 / (21.6)	.37 / (9.4)	.540 / 13.7
190130018	C-2319	190130016	C-2319T	12-10 AWG	YELLOW	.155 / (3.94)	.280 / (7.11)	1.02 / (25.9)	.36 / (9.1)	.565 / 14.5



- NOTES:
- $\triangle 1$. TERMINAL MATERIAL: BRASS
 - $\triangle 2$. TERMINAL FINISH: ELECTRO-TIN
 - $\triangle 3$. INSULATION: NYLON
 - $\triangle 4$. MWID = MAXIMUM WIRE INSULATION DIAMETER
 - $\triangle 5$. MOUNTED WITH BARE TAB TO TAPE.

SALES DRAWING

WAS CD-2909 EC NO. ETC2003-0225 DRWN: BRE 03/04/03 CHK: HEB 03/04/03 APPR: RWD 03/04/03	QUALITY SYMBOLS MAJOR $\blacktriangledown = 0$ CRITICAL $\triangle = 0$	GENERAL TOLERANCES: (UNLESS SPECIFIED)	SCALE NO: NE DESIGN UNITS <input type="checkbox"/> mm <input checked="" type="checkbox"/> INCH	THIRD ANGLE PROJECTION <input type="checkbox"/> mm <input checked="" type="checkbox"/> INCH <input type="checkbox"/> mm ONLY	SHT REV REVISE ON CAD ONLY
	mm INCH	DRAWN BY & DATE BRE 03/03/19	TITLE: INSULKRIMP FIQD PIGGYBACK .250 X .032 TAB SIZE		
	4 PLACES $\pm 0.$ $\pm .$ 3 PLACES $\pm 0.$ $\pm .005$ 2 PLACES ± 0.13 $\pm .01$ 1 PLACE ± 0.25 $\pm .$	CHECKED BY & DATE HEB 03/03/19	APPROVED BY & DATE RWD 03/03/19		
	ANGULAR: $\pm 1/2^\circ$	CAD FILENAME SD-19013-001 .DGN	MATERIAL NO. DRAWING NO. SHEET NO. SEE CHART SD-19013-001		
DRAFT WHERE APPLICABLE MUST REMAIN WITHIN DIMENSIONS	THIS DRAWING CONTAINS INFORMATION THAT IS PROPRIETARY TO MOLEX INCORPORATED AND SHOULD NOT BE USED WITHOUT WRITTEN PERMISSION.				SIZE B